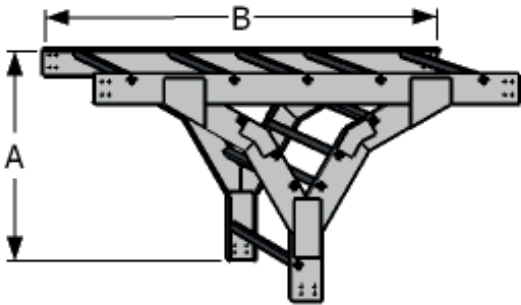


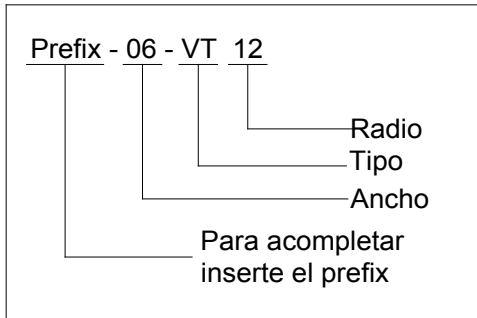


**(VTU, VT) TEE VERTICAL SECCIONADA DE 4 "PERALTE**

TEE VERTICAL -VT,VTU-												
Radio de Curva.		Ancho.		Clave.	Tee Vertical Abajo -VT-				Tee Vertical Arriba -VTU-			
in.	mm.	in.	mm.		A		B		A		B	
in.	mm.	in.	mm.		in.	mm.	in.	mm.	in.	mm.	in.	mm.
12	305	6	152	4F-06-VT12,VTU12	19 <sup>1</sup> / <sub>64</sub>	483	34 <sup>1</sup> / <sub>64</sub>	864	19 <sup>1</sup> / <sub>64</sub>	483	34 <sup>1</sup> / <sub>64</sub>	864
		9	228	4F-09-VT12,VTU12								
		12	305	4F-12-VT12,VTU12								
		18	457	4F-18-VT12,VTU12								
		24	609	4F-24-VT12,VTU12								
		30	762	4F-30-VT12,VTU12								
		36	914	4F-36-VT12,VTU12								
24	609	6	152	4F-06-VT24,VTU24	31 <sup>1</sup> / <sub>32</sub>	788	57 <sup>63</sup> / <sub>64</sub>	1473	31 <sup>1</sup> / <sub>32</sub>	788	57 <sup>63</sup> / <sub>64</sub>	1473
		9	228	4F-09-VT24,VTU24								
		12	305	4F-12-VT24,VTU24								
		18	457	4F-18-VT24,VTU24								
		24	609	4F-24-VT24,VTU24								
		30	762	4F-30-VT24,VTU24								
		36	914	4F-36-VT24,VTU24								
36	914	6	152	4F-06-VT36,VTU36	42 <sup>63</sup> / <sub>64</sub>	1092	82 <sup>1</sup> / <sub>64</sub>	2083	42 <sup>63</sup> / <sub>64</sub>	1092	82 <sup>1</sup> / <sub>64</sub>	2083
		9	228	4F-09-VT36,VTU36								
		12	305	4F-12-VT36,VTU36								
		18	457	4F-18-VT36,VTU36								
		24	609	4F-24-VT36,VTU36								
		30	762	4F-30-VT36,VTU36								
		36	914	4F-36-VT36,VTU36								



Tee vertical hacia abajo



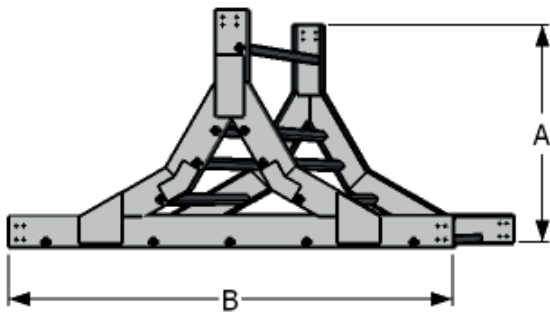
Incluye dos pares de conectores

Nota: Contactar a su ejecutivo para consultar dimensiones en peraltes de 3" y 8".

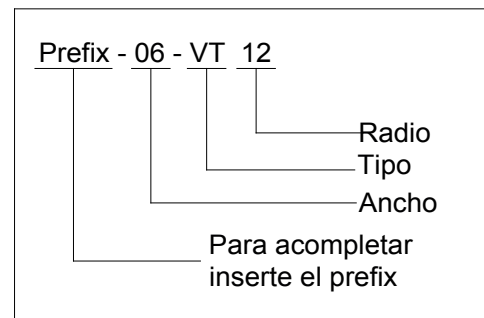


**(VTU, VT) TEE VERTICAL SECCIONADA DE 6 "PERALTE**

TEE VERTICAL -VT,VTU-												
Radio de Curva.		Ancho.		Clave.	Tee Vertical Abajo -VT-				Tee Vertical Arriba -VTU-			
in.	mm.	in.	mm.		A		B		A		B	
in.	mm.	in.	mm.		in.	mm.	in.	mm.	in.	mm.	in.	mm.
12	305	6	152	6F-06-VT12,VTU12	20 <sup>63</sup> / <sub>64</sub>	533	36 <sup>1</sup> / <sub>32</sub>	915	20 <sup>63</sup> / <sub>64</sub>	533	36 <sup>1</sup> / <sub>32</sub>	915
		9	228	6F-09-VT12,VTU12								
		12	305	6F-12-VT12,VTU12								
		18	457	6F-18-VT12,VTU12								
		24	609	6F-24-VT12,VTU12								
		30	762	6F-30-VT12,VTU12								
		36	914	6F-36-VT12,VTU12								
24	609	6	152	6F-06-VT24,VTU24	32 <sup>63</sup> / <sub>64</sub>	838	60	1524	32 <sup>63</sup> / <sub>64</sub>	838	60	1524
		9	228	6F-09-VT24,VTU24								
		12	305	6F-12-VT24,VTU24								
		18	457	6F-18-VT24,VTU24								
		24	609	6F-24-VT24,VTU24								
		30	762	6F-30-VT24,VTU24								
		36	914	6F-36-VT24,VTU24								
36	914	6	152	6F-06-VT36,VTU36	45	1143	84 <sup>1</sup> / <sub>64</sub>	2134	45	1143	84 <sup>1</sup> / <sub>64</sub>	2134
		9	228	6F-09-VT36,VTU36								
		12	305	6F-12-VT36,VTU36								
		18	457	6F-18-VT36,VTU36								
		24	609	6F-24-VT36,VTU36								
		30	762	6F-30-VT36,VTU36								
		36	914	6F-36-VT36,VTU36								



Tee vertical hacia arriba



Incluye dos pares de conectores

Nota: Contactar a su ejecutivo para consultar dimensiones en peraltes de 3" y 8".